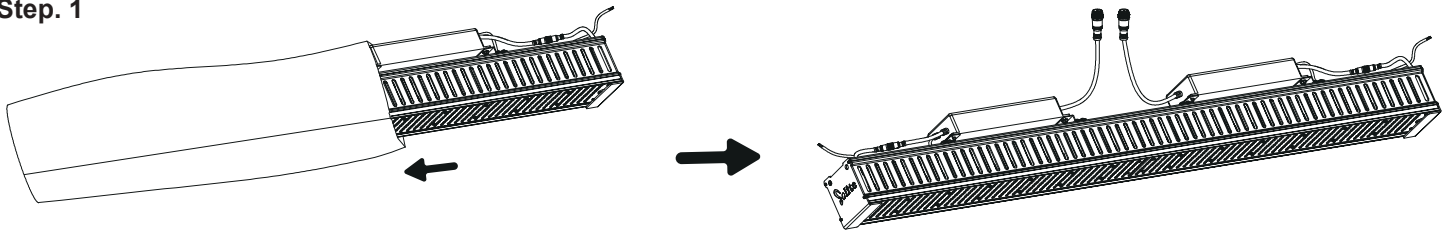
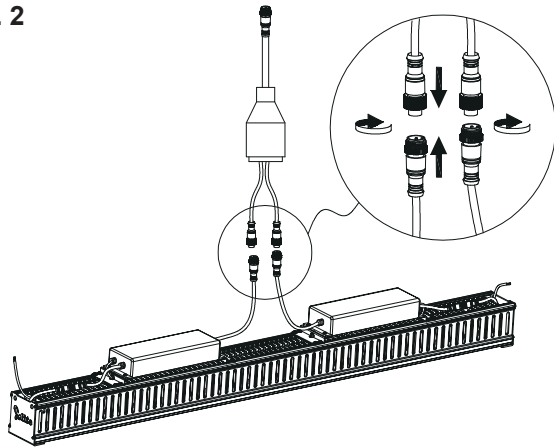


### Step. 1



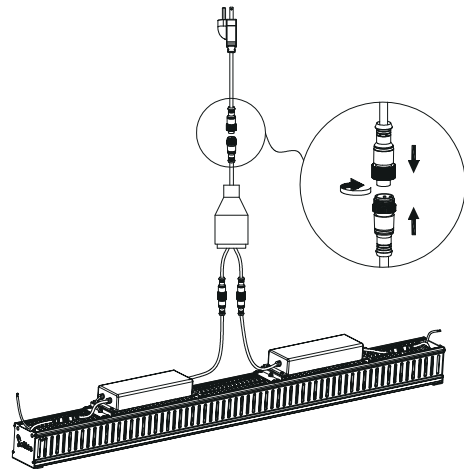
Remove the light cover film.

### Step. 2



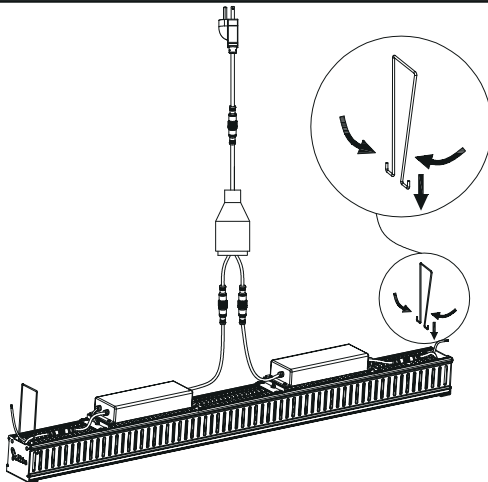
Connect split cable to the light power supply.

### Step. 3



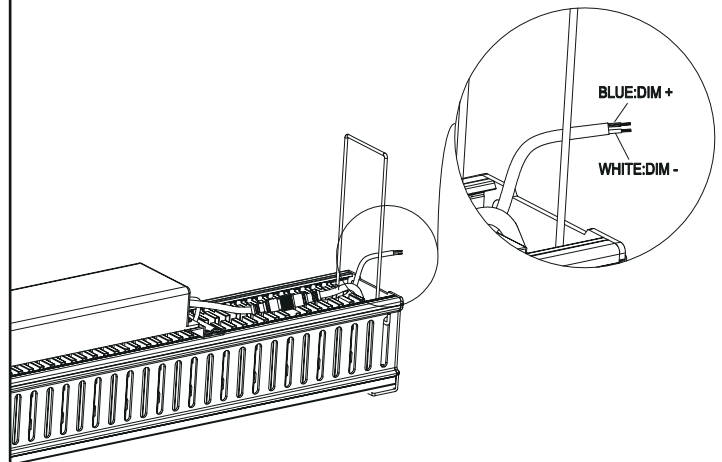
Connect the power cord to split cable.

### Step. 4


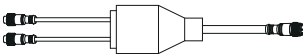



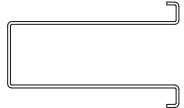
Attach the bracket and plug the power cable into power source.

### Dimming Control



## Package Contents

Part	Description	Quantity
1		1
2		1

Part	Description	Quantity
3		1
4		2